

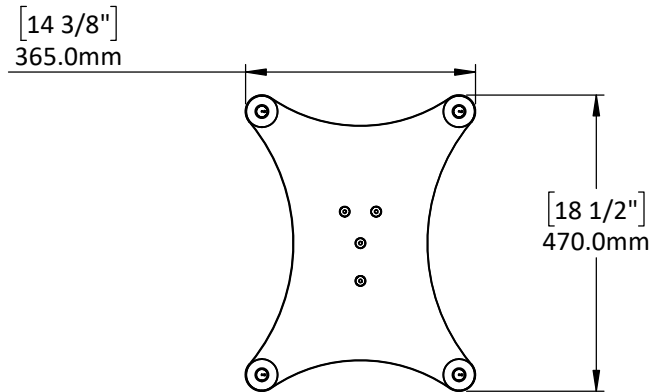
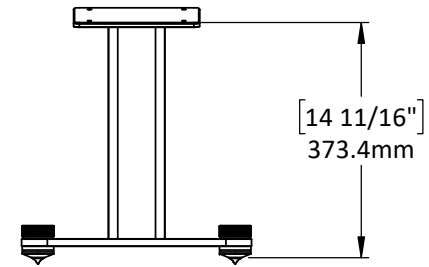
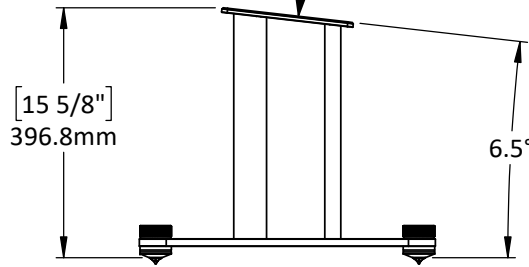
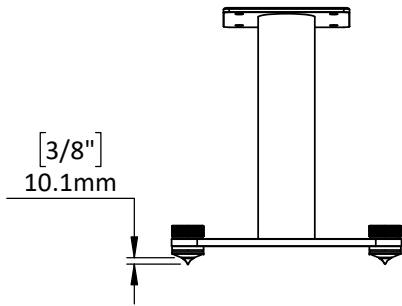
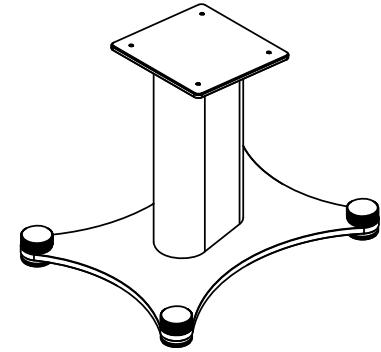
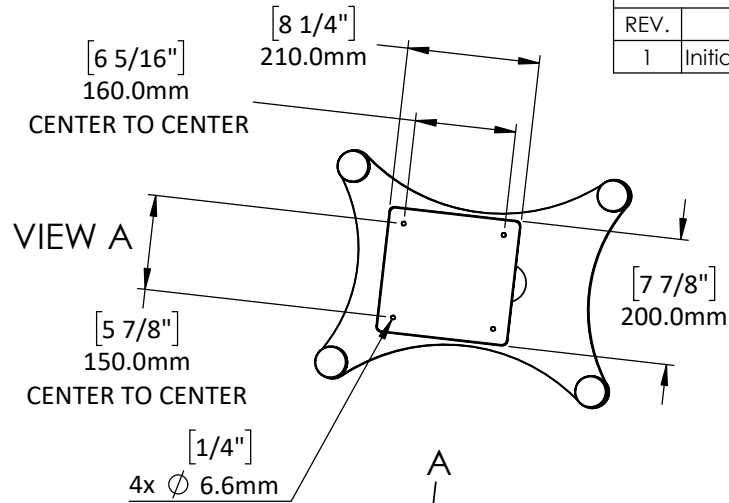
4

3

2

1

REVISIONS		
REV.	DESCRIPTION	DATE
1	Initial Release	11/9/2021



Notes: HIGH GLOSS BLACK

PROPRIETARY AND CONFIDENTIAL
 THE INFORMATION CONTAINED IN THIS
 DRAWING IS THE SOLE PROPERTY OF
PERLISTEN AUDIO, LLC. ANY
 REPRODUCTION IN PART OR AS A
 WHOLE WITHOUT THE WRITTEN
 PERMISSION OF **PERLISTEN AUDIO, LLC** IS
 PROHIBITED.

NAME	DATE	
TITLE:		Sheet1
SIZE	DWG. NO.	REV
A	SSC-HGB_Architectural	1
SCALE: 1:12		SHEET 1 OF 1

2

1