

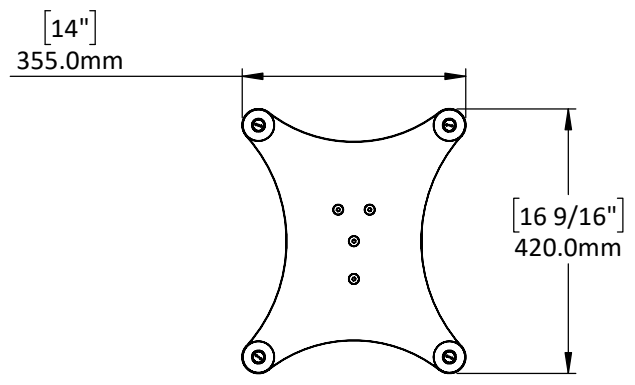
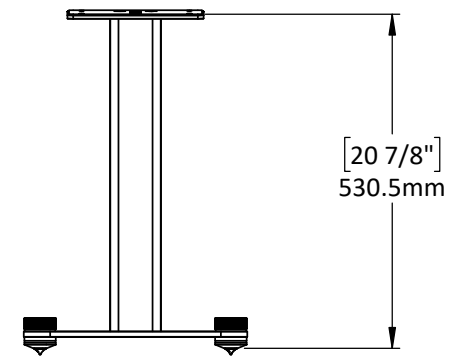
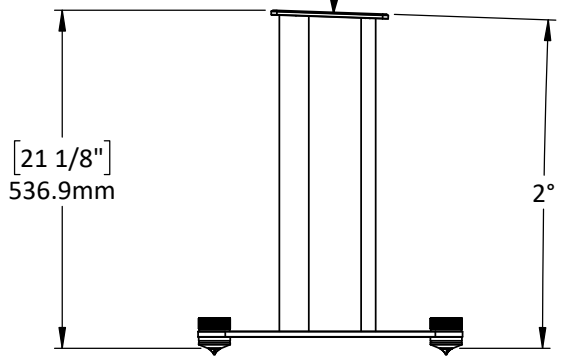
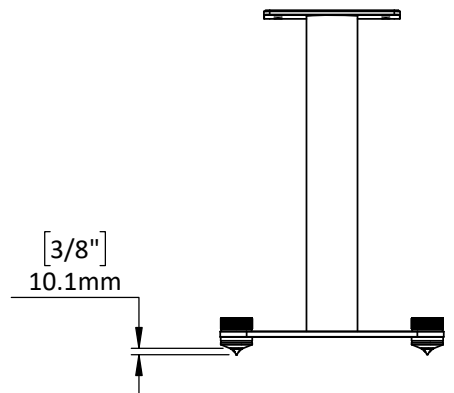
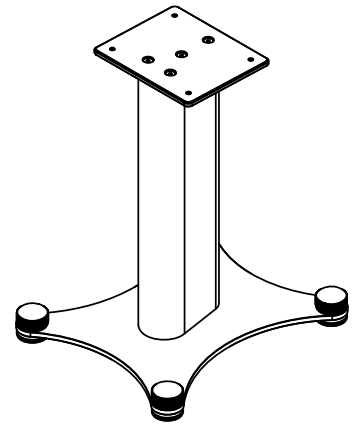
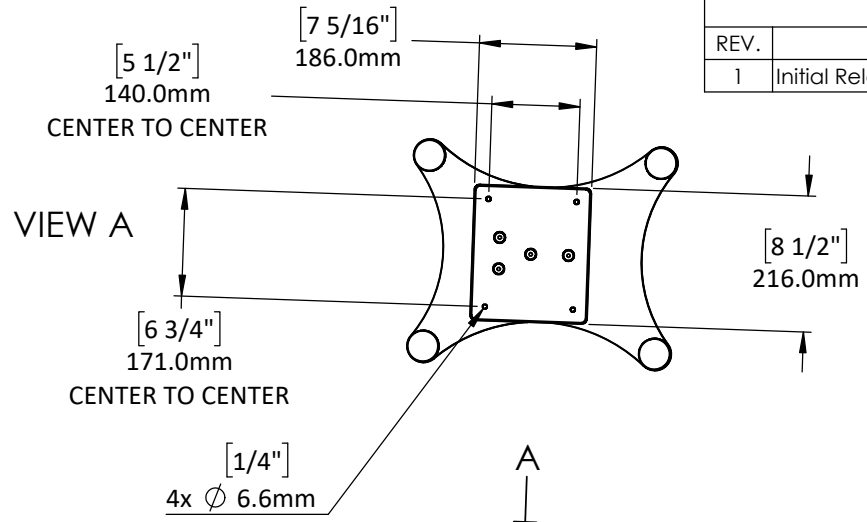
4

3

2

1

REVISIONS		
REV.	DESCRIPTION	DATE
1	Initial Release	11/11/2021



Notes: HIGH GLOSS BLACK

PROPRIETARY AND CONFIDENTIAL  
THE INFORMATION CONTAINED IN THIS  
DRAWING IS THE SOLE PROPERTY OF  
PERLISTEN AUDIO, LLC. ANY  
REPRODUCTION IN PART OR AS A  
WHOLE WITHOUT THE WRITTEN  
PERMISSION OF PERLISTEN AUDIO, LLC IS  
PROHIBITED.

NAME	DATE	
TITLE:		Sheet1
SIZE	DWG. NO.	REV
<b>A</b>	<b>RSLR-HGB_Architectural</b>	<b>1</b>
SCALE: 1:12		SHEET 1 OF 1

2

1