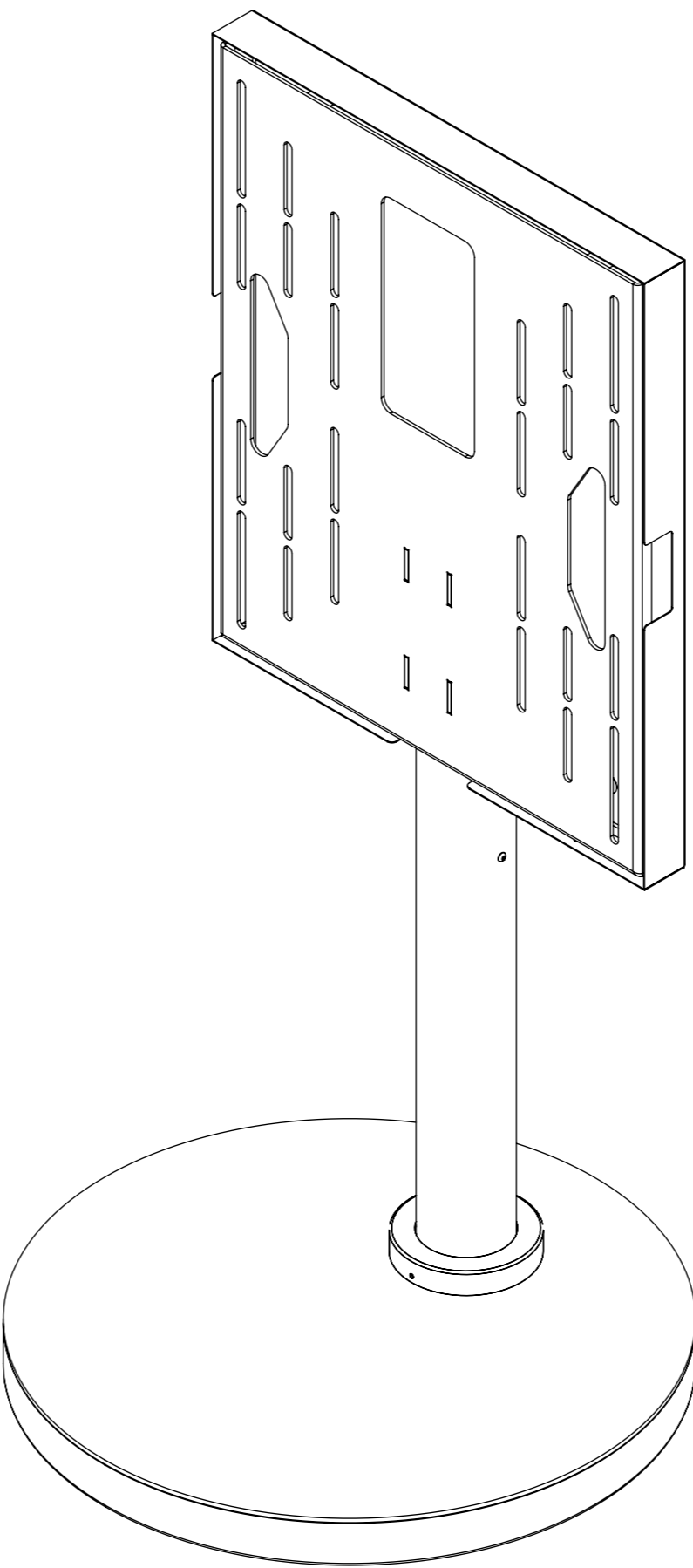


FME

FLOOR MOUNT ELECTRIC



future automation



FME

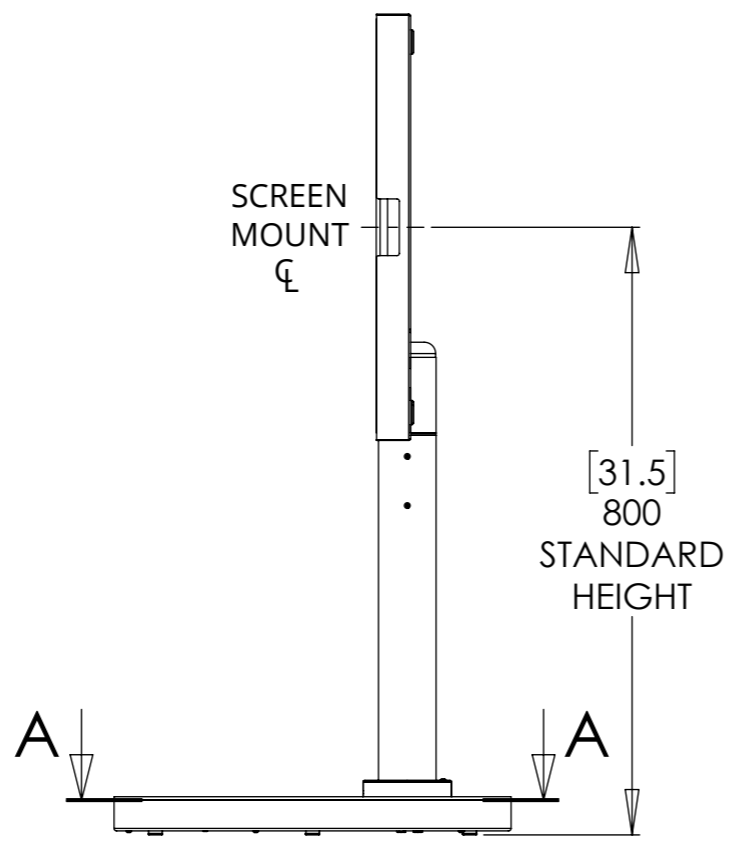
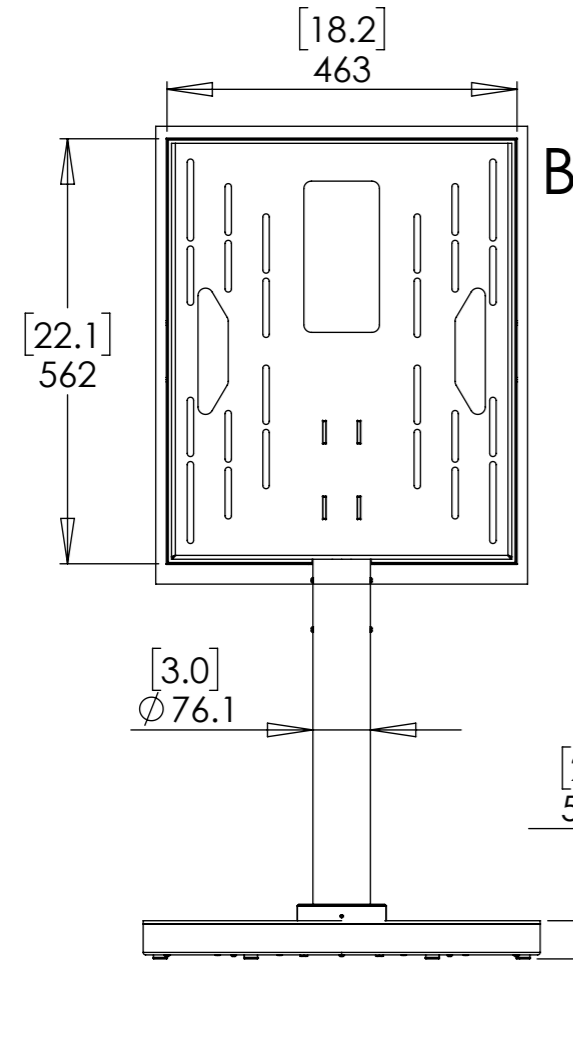
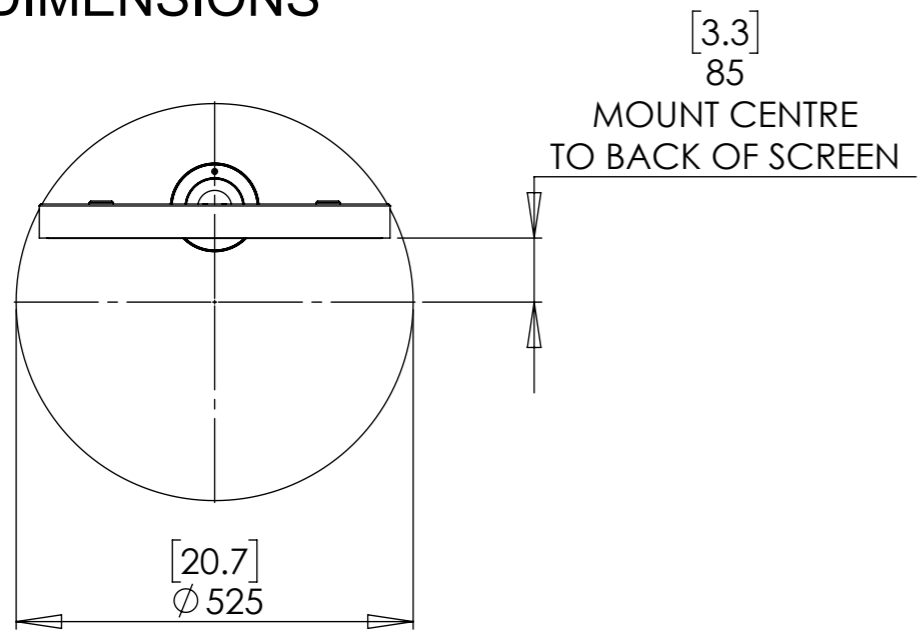
FLOOR MOUNT ELECTRIC



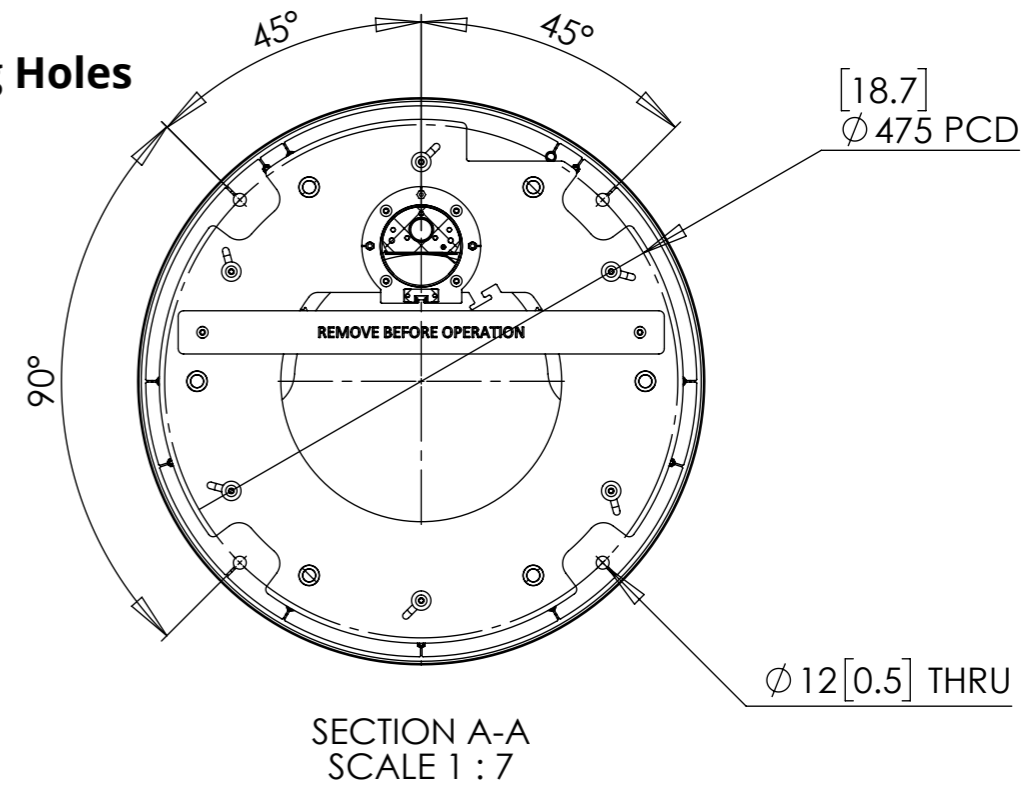
SPECIFICATION	MEASUREMENTS
Screen Sizes (Approx)	40" - 70"
Maximum Weight Capacity	40Kg (88lb)
Height to Screen Centre	Standard 800mm (31") Custom Available
Packaging Dimensions	Variable
Shipping Weight	Variable
Maximum Rotation	60° - Bi-directional
Movement Type	Motorised
Power Supply Required	110V - 240V AC
Power Consumption Max.	120W
Power Consumption Standby	3W
Mounting Patterns Supported	VESA 400, 300, 200 W x 400, 300, 200 H
Control Options	IR Remote
Product Options / Features	Specific B&O and Loewe mounts / adapters, Custom RAL paint finishes, Custom pole length
Package Contents	Mechanism, IR remote control

FME FLOOR MOUNT ELECTRIC

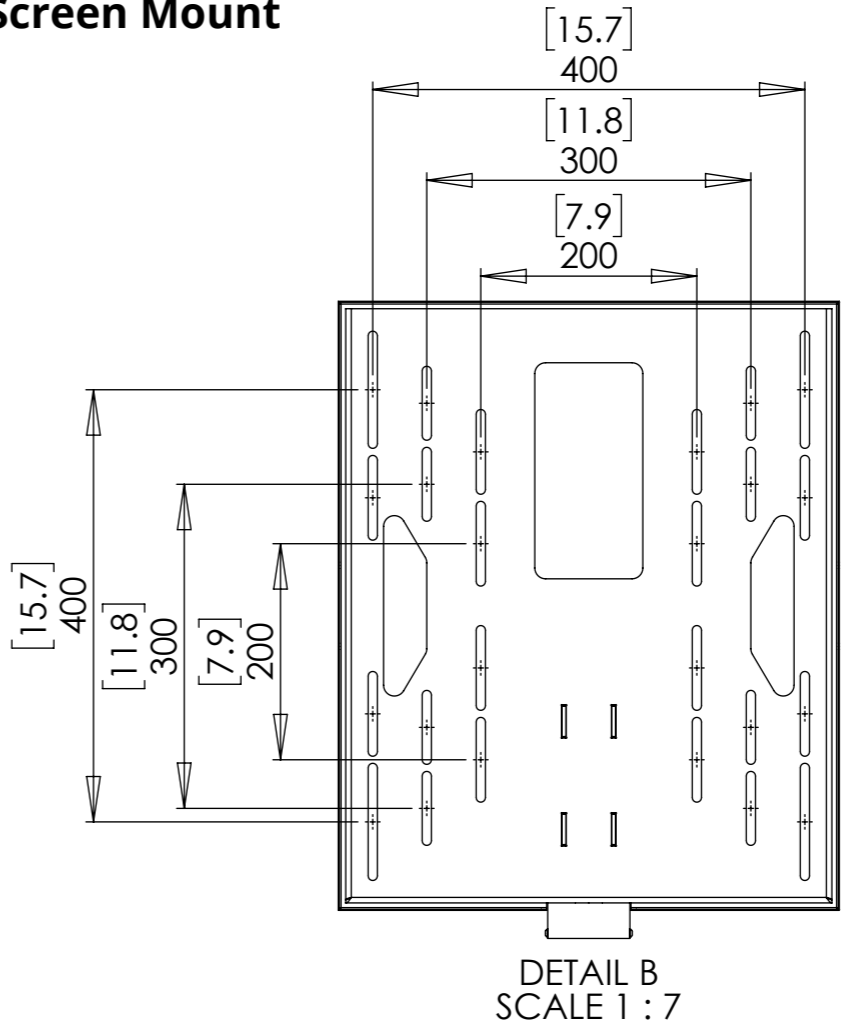
GENERAL DIMENSIONS



Base Fixing Holes



Screen Mount



FME

FLOOR MOUNT ELECTRIC

MOVEMENT DETAILS

The FME enables a screen to be rotated up to 60 in both directions from center.

Software allows intermediate positions to be learnt and selected using the IR remote.

