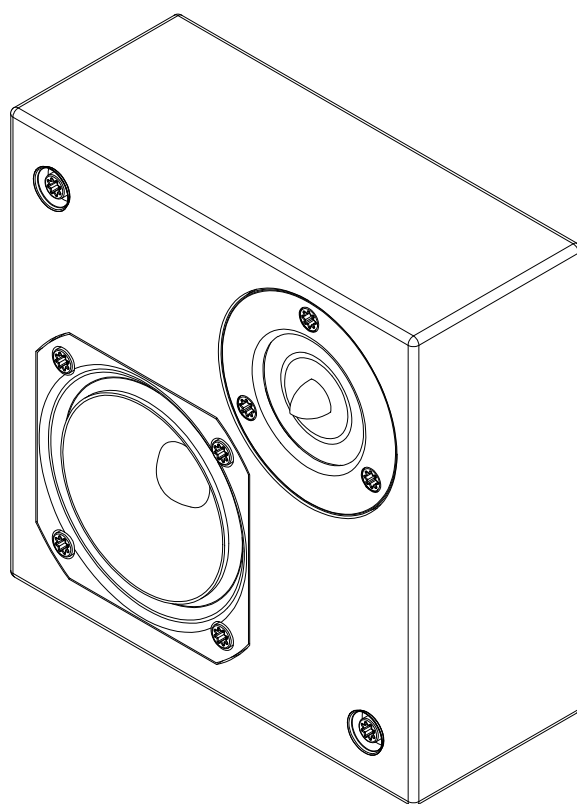


Artcoustic^{FIC}

TARGET MINI SL OWNERS MANUAL



www.artcoustic.com

Welcome to the world of Artcoustic!

Congratulations with your purchase of the Artcoustic Target Mini SL passive monitor.

This multi purpose monitor shares many characteristics with the other models in the SL range. Maintaining Artcoustic's clean contemporary design, the Target SL has been designed to match all modern flat screen monitors.

Target Mini SL - This is a very flexible loudspeaker, designed for use in smaller rooms for home cinema or HiFi, as well as being designed to be used for multi room applications in kitchens, bedrooms, studies etc.

Partner it with an Artcoustic Subwoofer for a truly full range, dynamic performance.

Thank you for purchasing the Artcoustic Target Mini SL.

All the best,
The Artcoustic Team

TARGET MINI SL FEATURES

- Extremely small and compact cabinet design
- Low distortion
- Low power consumption
- Fast, easy and simple installation
- Suitable for a wide range of application, from HiFi Systems, Multi Room Systems and smaller Home Cinemas
- Ultra-slim aesthetically pleasing cabinet design, designed to complement the latest LED screen designs
- Choose from unlimited colour options from NSC, RAL, and almost all well-known paint companies to match your cabinet colour and screen to your interior. Artcoustic has created a true all-rounder, covering most medium SPL applications, where high performance and aesthetics is a focal point.

Components Overview:

High Frequency driver:

Dual Ring Radiator diaphragm with highly linear suspension and low loss surrounds for high clarity and clean transient response. Copper caps for better HF extension and lower distortion and wave-guide center plug, copper-clad aluwire.

Woofers:

Extra long excursion and aluminium Short Circuiting Ring, 4-layer voice coil, anodised aluminium for improved heat dissipation, combined with Distortion Reduced Motor.

Crossover:

6 dB/octave low pass and 12 dB/octave high pass filter.

SPECIFICATIONS

Transducer:

LF-MF 1 x 3 inch cone

HF 1 x 1 inch Dual Ring Radiator

Crossover:

Low Pass Filter 6 dB/octave 1000 Hz

High Pass 12 dB/octave 4000Hz

Connection:

Single amped Gold Plated Push Terminals

Performance:

Operating Range 70 Hz (-3dB) to 40 kHz

Nominal Beamwidth Horizontal 90° Vertical 90°

Sensitivity 1 Watt @ 7 ohm 86 dB Full Space, 89 dB Half Space

Long Term SPL 15 Watt 98 dB Full Space, 101 dB Half Space

Short Term (Damage) SPL 45 watt 101 dB Full Space, 104 dB Half Space

Input Impedance Nominal Minimum 7 ohms

Recommended high pass filter 100 Hz 24 dB / Octave

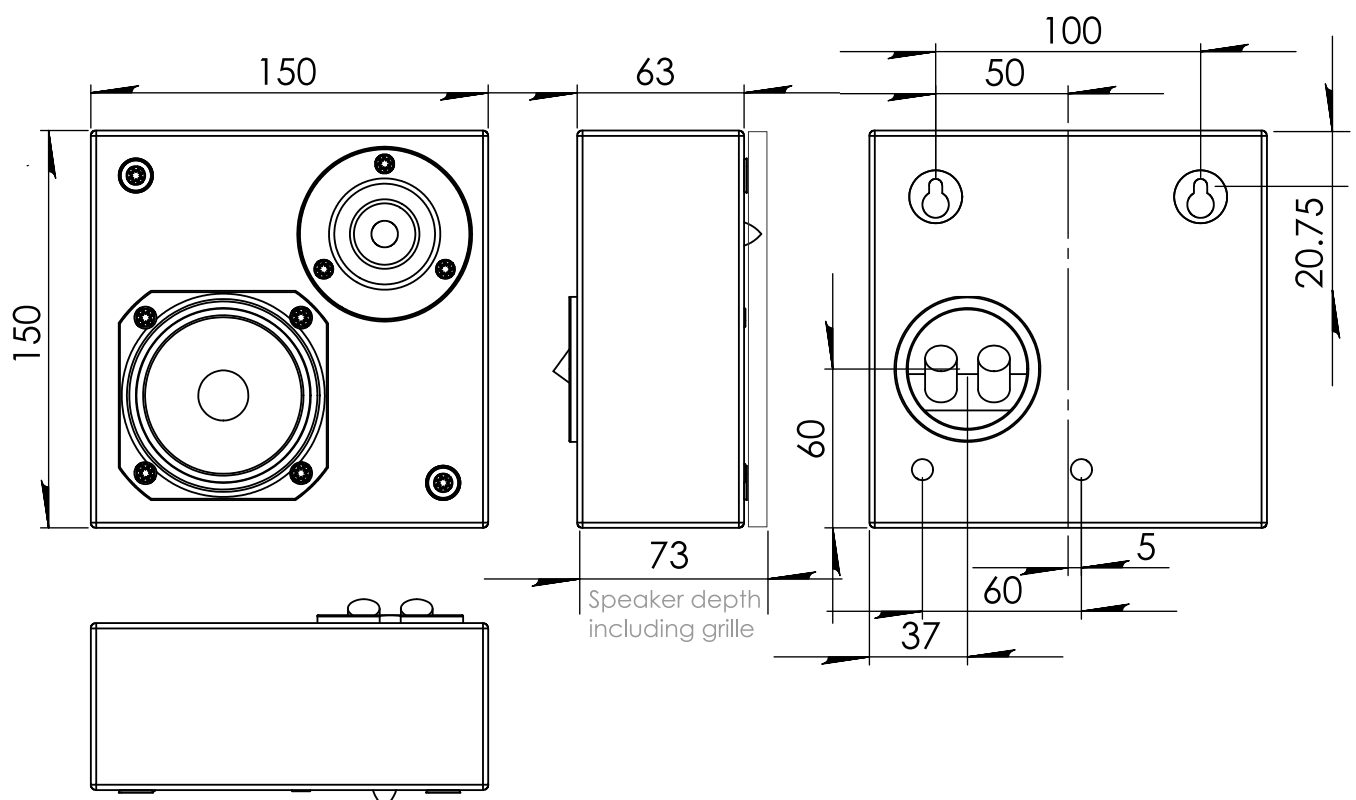
Weight 1.4 kg

Dimensions H: 150 W: 150 D: 63 mm

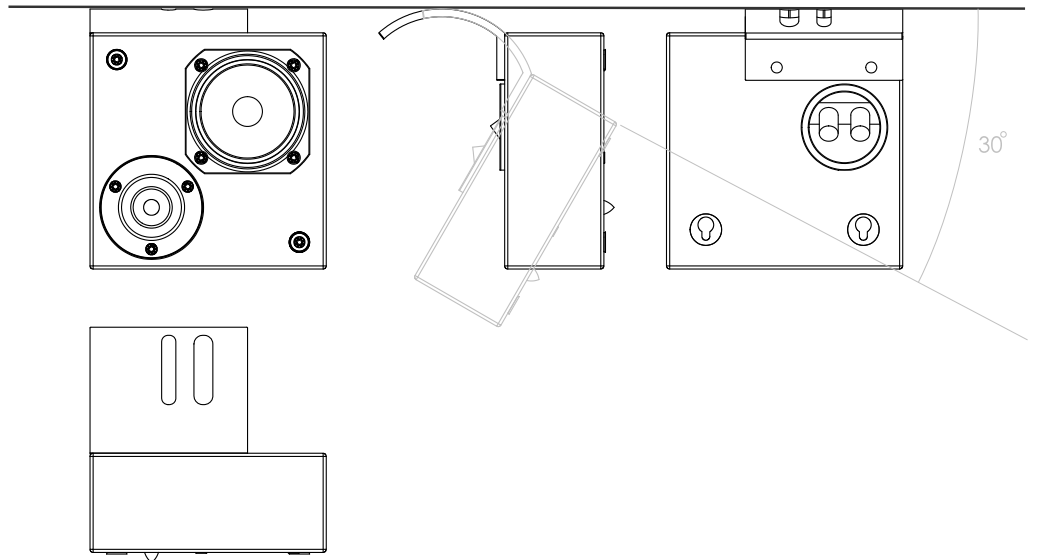
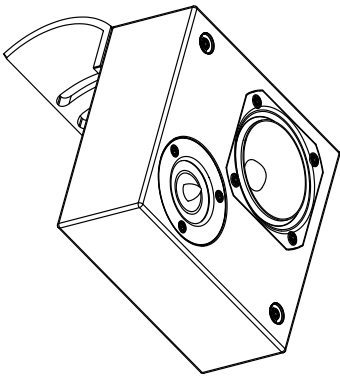
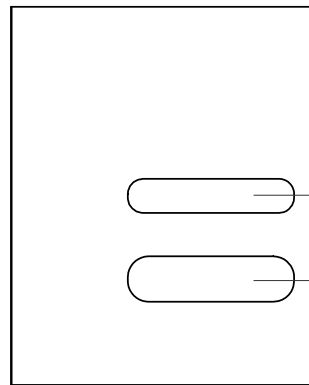
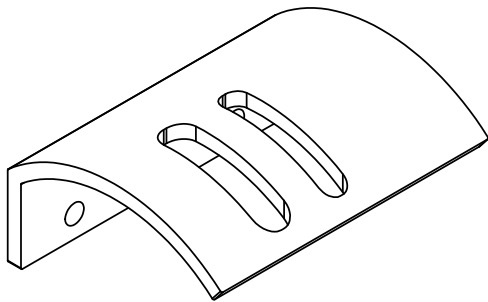
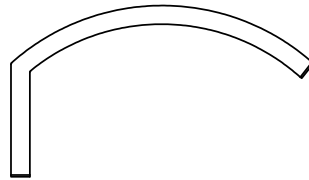
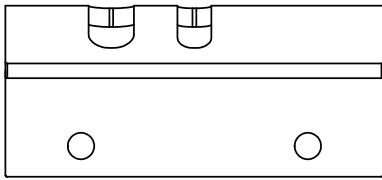
Finish:

Cabinet: Black, White, RAL, NCS, Tikkurila

Screen: Black, White, RAL, NCS, Tikkurila, Artcoustic Art Gallery



Optional extruded Aluminium ceiling mount



SAFETY INSTRUCTIONS

SAFETY:

1. Do not use this product near water.
2. Clean panel only with dry cloth.
3. Do not install near any heat sources, such as radiators, heat registers, stoves.

Refer all servicing to qualified service personnel. Servicing is required when the product has been damaged in any way, liquid has been spilled or objects have fallen into the product, the product has been exposed to rain or moisture, does not operate normally or has been dropped.

WARNING:

To reduce the risk of fire and electric shock do not expose this product to rain or moisture.

1. Do not place objects filled with liquids such as vases on the product.
2. Do not open a product. There are no user-serviceable parts inside.

This product complies with Part 15 of the FCC Rules. Its operation is subject to the following two conditions:

This product may not cause harmful interference,

This product must accept any interference received, including interference that may cause undesired operation.

Changes or modifications not expressly approved by the party responsible for compliance could void the user's authority to operate the equipment.

WARRANTY:

Is valid only for products purchased from an authorised Artcoustic retailer or dealer.

Is valid from the date of purchase for a period of 3 years for passive loudspeakers, one year for powered loudspeakers and electronics.

Is limited to the repair of the equipment (which could be a repair or replacement at our discretion, neither of which affects your original warranty). Neither transportation, nor any other costs, nor any risk for removal, transportation and installation of products is covered by this warranty.

Is only valid for the original owner. It is not transferable.

Will not be applicable in cases other than defects in materials and/or workmanship at the time of purchase and will not be applicable:

For deterioration of component parts, the nature of which is to become worn or depleted with use, such as batteries.

For damages caused by incorrect installation, connection or packing.

For damages caused by any use other than correct use described in the user manual, negligence, modifications, or use of parts that are not made or authorised by Artcoustic UK Ltd.

For damages caused by faulty or unsuitable ancillary equipment

For damages caused by accidents, lightning, water, fire heat, war, public disturbances or any other cause beyond the reasonable control of Artcoustic UK Ltd. And its appointed distributors.

If it is found necessary to return the product for repair, you may be given a Return Merchandise Authorisation. You should not return the product without this authorisation, if given.

To validate your warranty, you will need to produce the original sales invoice or other proof of ownership and date of purchase.